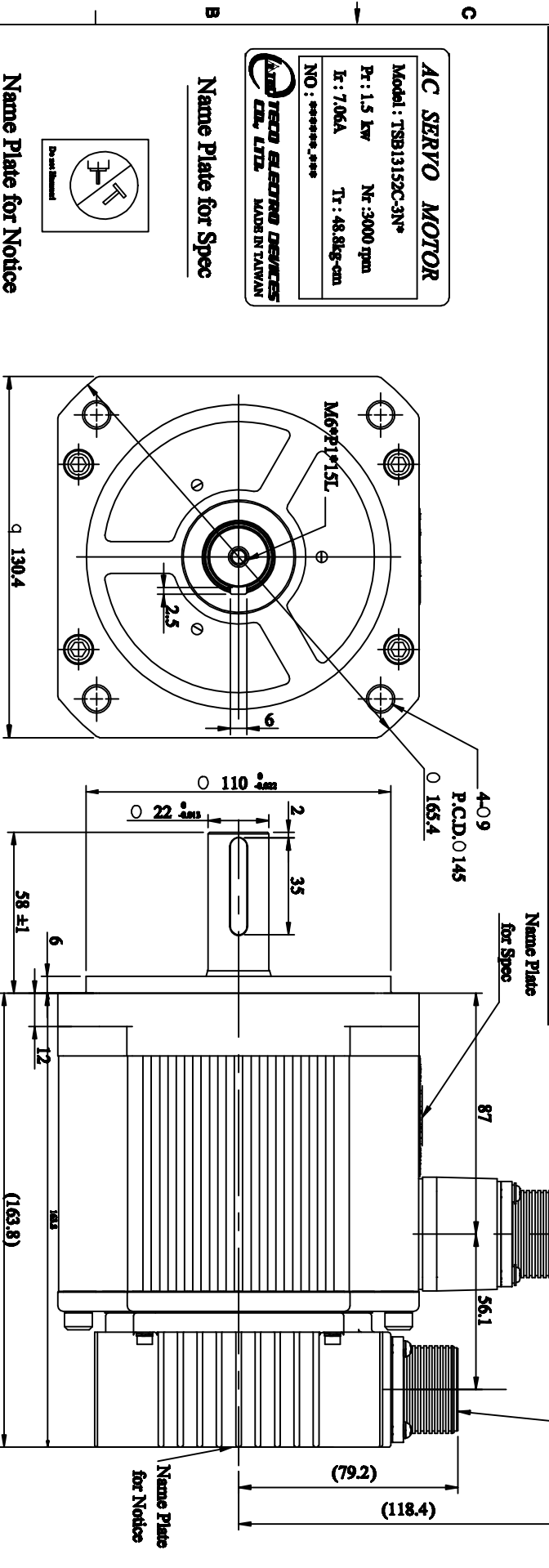


No.	Item	Symbol	Unit	Specification	No.	Item	Symbol	Unit	Specification
1	Drive	-	-	Regangular Wave	13	Rotor Inertia	J-M	kg-cm ²	6.26 ±10%
2	Cooling Method	-	-	Totally Enclosed	14	Rated Power Rate	Q-R	Kw/s	36.53
3	Exciting Method	-	-	Permanent Magnet	15	Resistance	Ra	Ω	3.58 ±10%/2 φ
4	Resolution	-	-	NOT E2	16	Inductance	L	mH	3.58 ±10%/2 φ
5	Rated Output	P-R	W	1.5KW	17	Mech. Time Constant	Tm	ms	1.12 ±10%
6	Rated Torque	T-R	N-m	4.782	18	Elect. Time Constant	Te	ms	5.48 ±10%
7	Max. Torque	T-max	N-m	14.327	19	Insulation Class	-	-	Class B
8	Rated Speed	N-R	rpm	3000	20	Operation Temp.	T	°C	0~40
9	Rated Current	I-R	A	7.06	21	Operation Humid.	RH	%	<90
10	Max. Current	I-max	A	21.2	22	Storage Temp.	T	°C	-20~60
11	Torque Constant	Kt	N-m/A	0.74 ±10%	23	Storage Humid.	RH	%	<90
12	Back emf (at 1800rpm)	Vemf	Volts	80.54 ±10%/2 φ	24	Weight	W	kgw	6.47

Model: TSB13152C-3N*

Notes:

1. Motor to be IP67 (excluding the shaft opening & connectors)
2. Encoder TYPE: 2500ppr, 8192ppr
17bit, 15bit
Military connector
MS3102A20-4P
MS3102A20-18P



STANDARD TOLERANCE		REV DESCRIPTION		SIGNATURE		DATE		APVD		SCALE		UNIT		NAME	
X	±0.5									1/2	m	m		Servo Motor Outline Drawing	
X	±0.2									3RD	AP			TSB13152C-3N*	
.XX	±0.05													Title	
ANGLE	±30°													Dept. Design	
MATERIAL														DWG. NO. DTSB13152C3N*	